



VarioTHERM® InSb

2 – 5 μm IR camera with 640 x 512 pixel for spectral thermography



Fully radiometric, cooled thermography camera for MWIR spectral range: high resolution, precise measurement, spectral selective

Rendering an exceptionally detailed reproduction of small structures and minimum temperature differences, the new VarioTHERM® InSb is ideally suited for the precise temperature measurement in the MWIR spectral range.

State-of-the-art, Stirling-cooled InSb detector technology with a wide dynamic range together with long-standing know-how in manufacturing radiometric cameras guarantee the precise temperature measurement and the high-contrast display of even minor thermal differences.

For special research applications, the camera can be equipped with customized filters that enable the thermal image display and the temperature measurement in selected spectral ranges.

Applications:

- Spectral imaging with customized filters
- Thermal measurement on or through glass, plastics, flames
- Flame analysis
- Infrared microscopy and Material evaluation
- Environmental studies and Research & development
- Aerial imaging

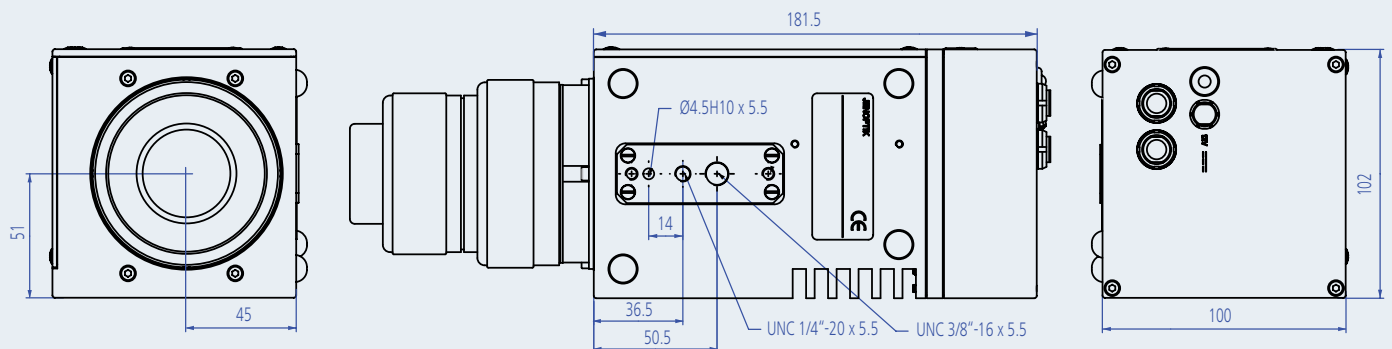
VarioTHERM® InSb

2 – 5 μm IR camera with 640 x 512 pixel for spectral thermography

Specifications

Detector type	InSb array, Stirling cooled	
Image format	640 x 512 pixel	
Spectral sensitivity	2 μm ... 5 μm	
Pixel size	15 μm	
Temperature resolution	< 20 mK (@ 30°C object temperature)	
Temperature measurement range	<i>standard</i> : -40 °C ... +1200 °C <i>optional</i> : up to 2,000 °C	
Measurement accuracy	± 2 K or ± 2%	
Dynamic range	16 bit	
Frame rate	50 Hz	
Spectral filtering	Integrated filter wheel for up to 4 different filters	
Brightness and Contrast control	Auto manual	
NUC control	Auto triggered	
Focus	Manual	
Integrated functions	Spectral filter selection, freeze mode, adjustable correction, image filtering, auto level, auto range, auto image, auto NUC	
Correction functions	Emissivity, distance, transmissivity, ambient temperature	
Interfaces	<i>standard</i> : IEEE-1394 (FireWire), RS232, S-/C-Video, VGA <i>optional</i> : Gigabit Ethernet	
Power supply	9 VDC ... 24 VDC	
Operating temperature	-15 °C ... +50 °C	
Storing temperature	-40 °C ... +70 °C	
Internal protection	IP54, IEC 529	
Dimensions (without lens)	102 mm x 100 mm x 181.5 mm	
Weight (without lens)	approx. 3 kg	
Available standard lenses	Wide: f 12.5 mm (FOV 42° x 30.5°)	Micro 1: f 15 μm (FOV 9.6 mm x 7.7 mm)
<i>Other lenses on request.</i>	Normal: f 25 mm (FOV 22° x 16°)	Micro 2: f 7.5 μm (FOV 4.8 mm x 3.8 mm)

Dimensions VarioTHERM® InSb (*lens shown as an example only*)



It is our policy to constantly improve the design and specifications. Accordingly, the details represented herein cannot be regarded as final and binding.



JENOPTIK | Defense & Civil Systems
 ESW GmbH - Sensor Systems
 Pruessingstrasse 41 | 07745 Jena | Germany
 Phone +49 3641 65-3942 | Fax -3494
 infraredtechnology.dcs@jenoptik.com
 www.jenoptik.com/infraredtechnology



Melb: (03) 9480 4999
 Syd : (02) 9705 8059
 Email: sales@scitech.com.au
 www.scitech.com.au