



### Model LMI-6000 LED Fiber Optic Illuminator

#### Standard Features:

- High Power White LEDs
- Consistent Color Temperature
- Linear Light Intensity Control
- Designed to Couple to Most Dolan-Jenner fiber optics
- AC Power Supply
- Low Heat
- Low Voltage
- Stackable Housing
- Quick Change Adapters
- Small Footprint
- 1 Year Warranty

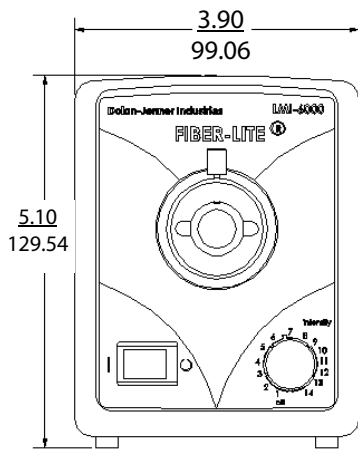
#### Accessories & Options:

- "B" Adapter 15 mm ID accepts "MI-150" light guides
- "A" Adapter 25 mm ID accepts "SX" and "MX" series (perferred) adapters

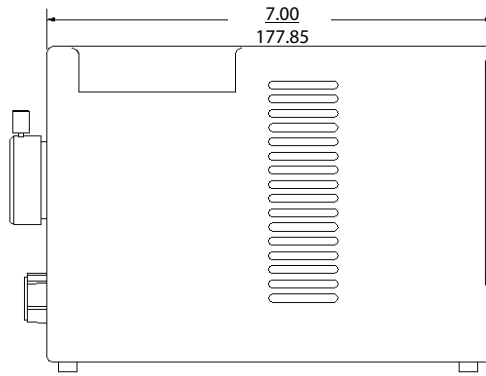
Technical Information	
Light Output:	780 Lumens
Lighting:	High Power White LEDs
Input Voltage:	100 - 240 VAC 50/60 Hz
Color Temperautre	Typical: 6000 K
LED Life:	20,000 Hours D65
Fiber Optic Interface:	15 mm or (25 mm optional)
Operating Temperature:	0 - 40°C
Cooling:	Fan Cooled
Intensity Control:	15 Step
Dimension/Weight:	3.9" W X 5.1" H X 7.0" DP/5.3 lbs
Approvals:	CE, RoHS

Model Number	
LMI-6000-EU-XX	Optional: 230 V Euro line cord
Option Suffix	Description
LMI-6000-XX-B1	15 mm (.590") Fiber Input Dia.
LMI-6000-XX-A2	25 mm (1.0") Fiber Input Dia.
LMI-6000-XX-DG	Includes Dual Gooseneck
LMI-6000-XX-SG	Includes Single Gooseneck
LMI-6000-XX-RL	Includes 60 mm Ringlight
LMI-6000-XX-RB	Includes 66 mm Ringlight

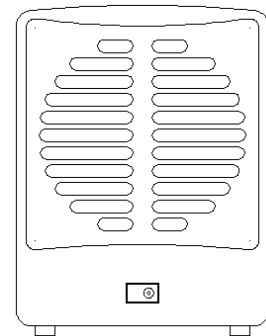
# LMI-6000 Dimensions:



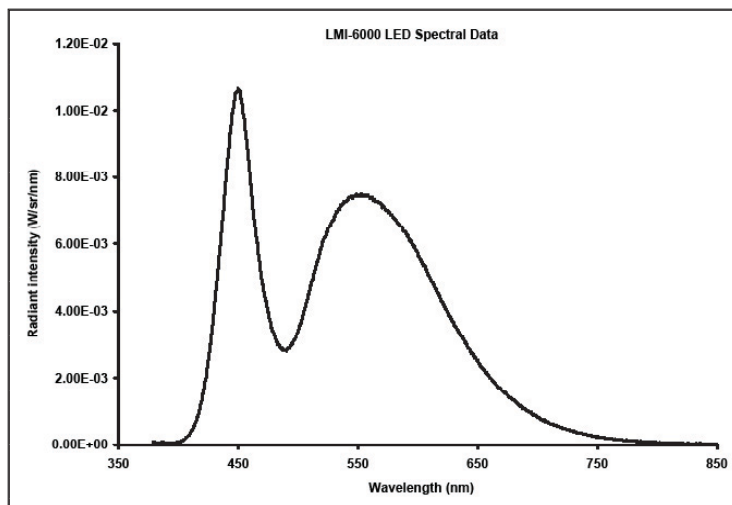
*FRONT VIEW*



*SIDE VIEW*



*BACK VIEW*



**Dolan-Jenner**  
*industries*

**SciTech**  
the imaging specialists

Melb : (03) 9480 4999  
Syd : (02) 9705 8059  
Email: [sales@scitech.com.au](mailto:sales@scitech.com.au)  
[www.scitech.com.au](http://www.scitech.com.au)

## **LMI-6000-LC-FA**

### **SPECIFY LINE CORD**

US =(115V US)  
EU =(230V EURO)  
UK =(230V UK)  
EK =(ALL 3 CORDS)

### **SPECIFY FIBER ADAPTER/SYSTEM**

B1 = STANDARD 15mm ID ADAPTER, NO FIBER  
A2 = 25mm (1.0") ID "A" ADAPTER, NO FIBER  
SG = BG2820M SINGLE GOOSENECK, LH-759 LENS, 15mm ADAPTER  
DG = EEG2823M DUAL GOOSENECK, 2 LH-759 LENSES, 15mm ADAPTER  
RL = A3739M 60mm ID RING LIGHT, 15mm ADAPTER  
RB = LP25A36M 66mm ID RING LIGHT, 15mm ADAPTER



Melb : (03) 9480 4999  
Syd : (02) 9705 8059  
Email: [sales@scitech.com.au](mailto:sales@scitech.com.au)  
[www.scitech.com.au](http://www.scitech.com.au)